



PART NAME

NEMA DIE CAST ALUM. ENCLOSURE w/MTG. BRKT.

PART No.

AN-2808-A & AN-2808-AB

REVISION DATE

9-30-15

UL LISTED FOR U.S. AND CANADA - FILE #E194432

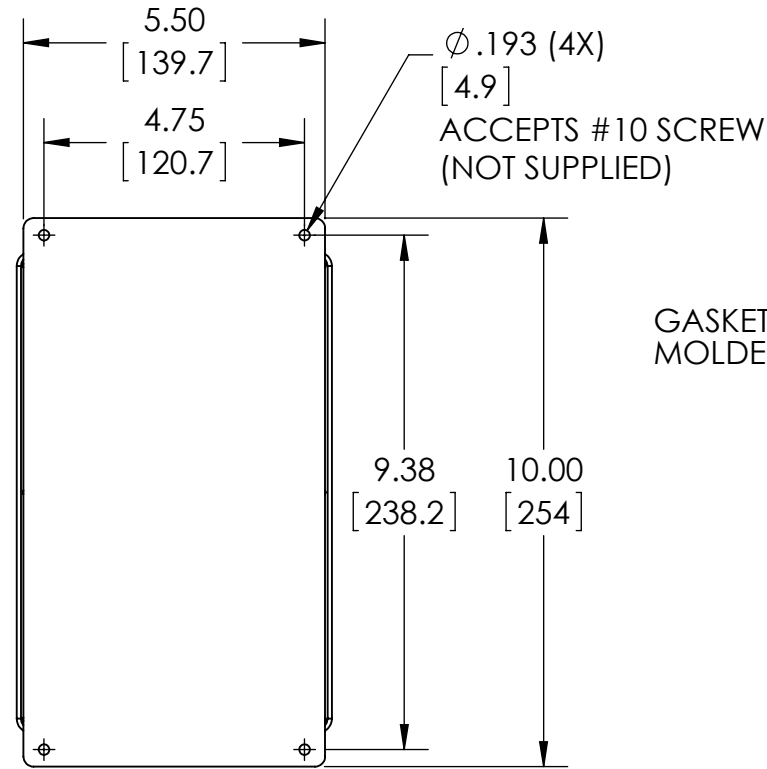
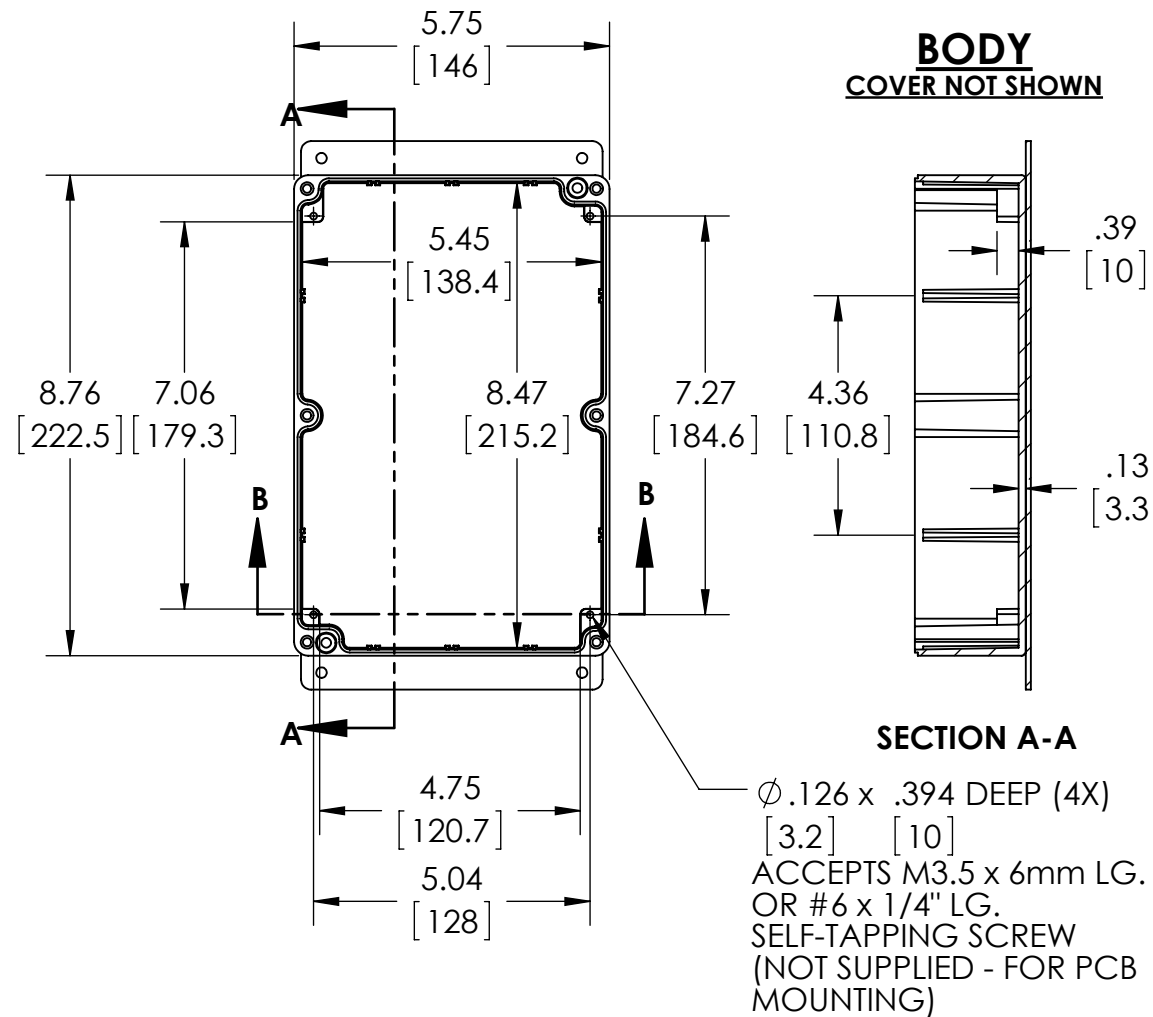
UPDATE REPLACES PART NO. AN-2808 & AN-2808-B

**DRAWING FOR REFERENCE**

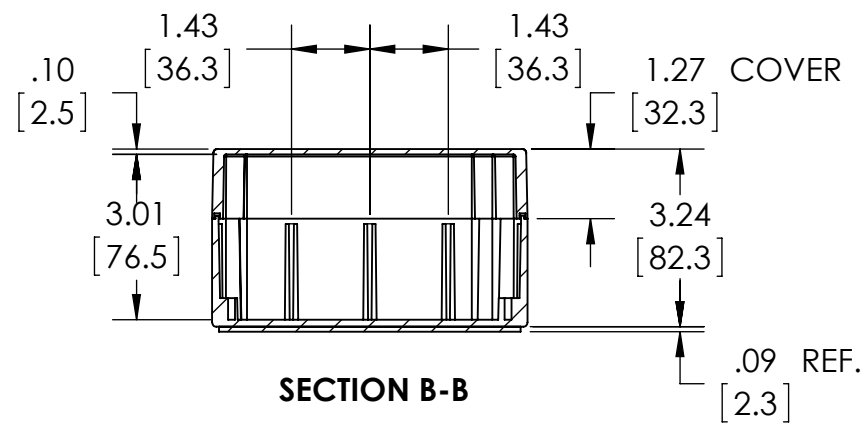
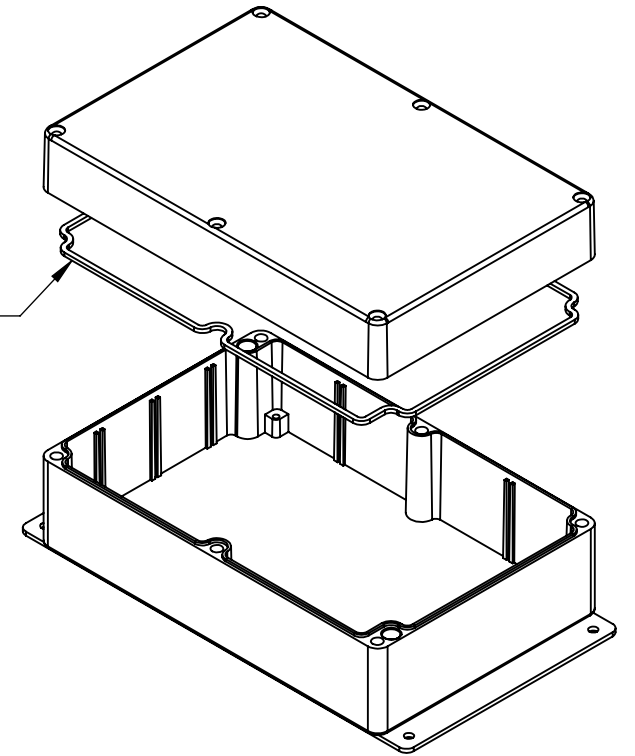
WE RESERVE THE RIGHT TO MAKE CHANGES TO OUR STANDARD PRODUCTS. PLEASE CONSULT WITH BUD INDUSTRIES PRIOR TO USING THIS DRAWING FOR DESIGN PURPOSE.

TYPE RATING 4, 4X, 6, 6P, 12 AND 13, COMPARE TO IP-68

80°C. MAXIMUM OPERATING TEMPERATURE



GASKET (NOT INSTALLED)  
MOLDED SILICONE GRAY



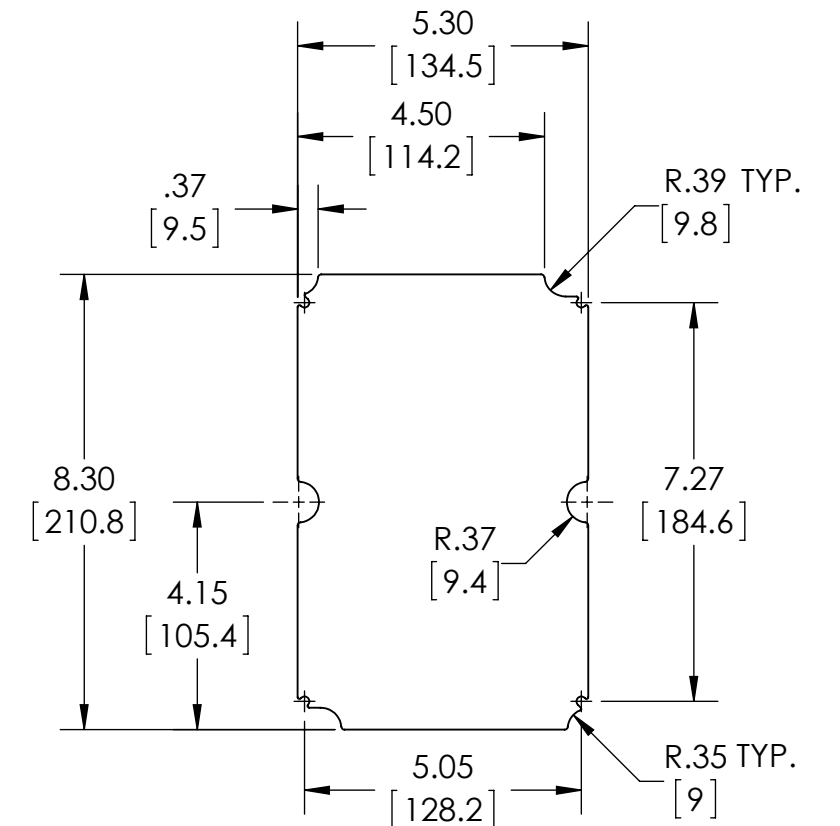
MATERIAL: BODY & COVER - ALUMINUM ALLOY #ADC-12  
MOUNTING BRACKET - .09 THK. ALUMINUM (3003-H14)

FINISH: NATURAL (SUFFIX -A)  
SMOOTH BLACK POWDERCOAT (SUFFIX -AB)

SIX (6) M4x0.7 x 20mm (.79") LG. 90°CSK. HEAD  
STAINLESS STEEL SCREWS SUPPLIED FOR ASSEMBLY  
OF COVER TO BODY. APPLY AT 12 IN./LB. OF  
TORQUE.

OUTSIDE AND INSIDE DRAFT ANGLE: 1°  
DIMENSIONS ARE INCH[MM]

OPTIONAL ACCESSORIES:  
PCB MOUNTING KIT #57-58  
INTERNAL PANEL #ANX-91307  
REPLACEMENT GASKET #1308GSKTSC



**OPTIONAL INTERNAL PANEL AND  
SUGGESTED PC BOARD LAYOUT**